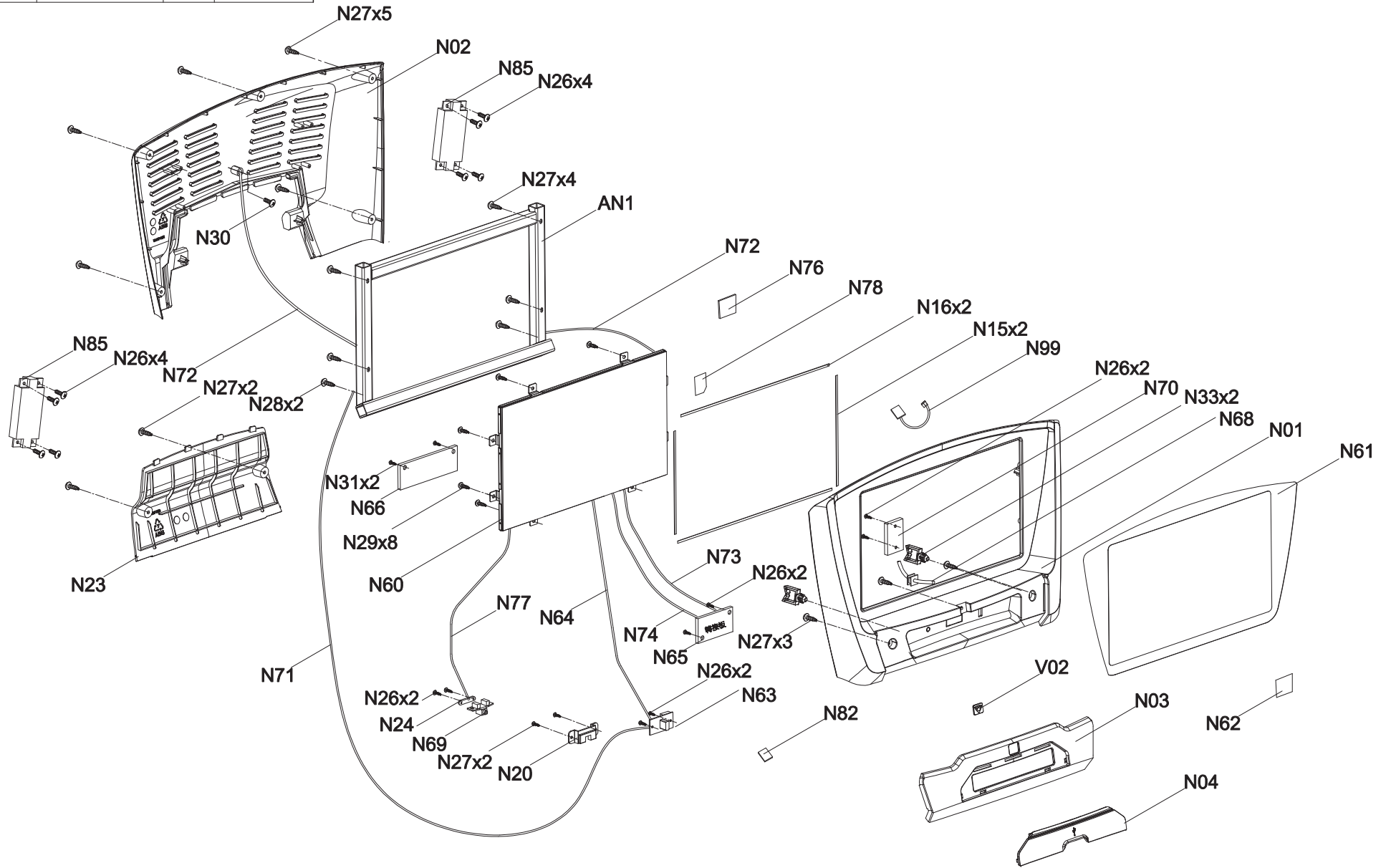
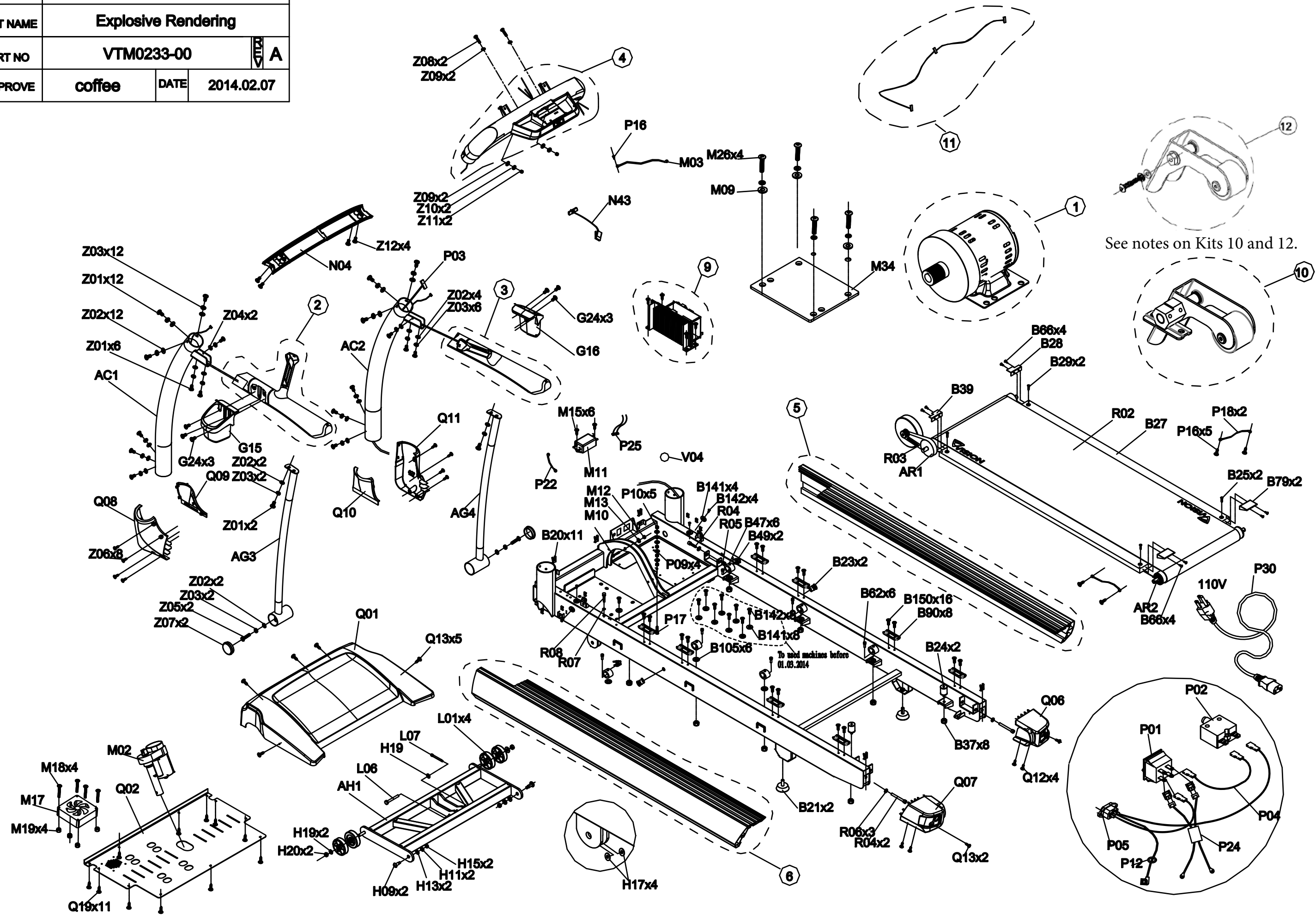


DRAWING NO	TM474-A15		
PART NAME	console set		
PART NO	1000343654	REV	A
APPROVE	zhuyinghong	DATE	2014.02.26

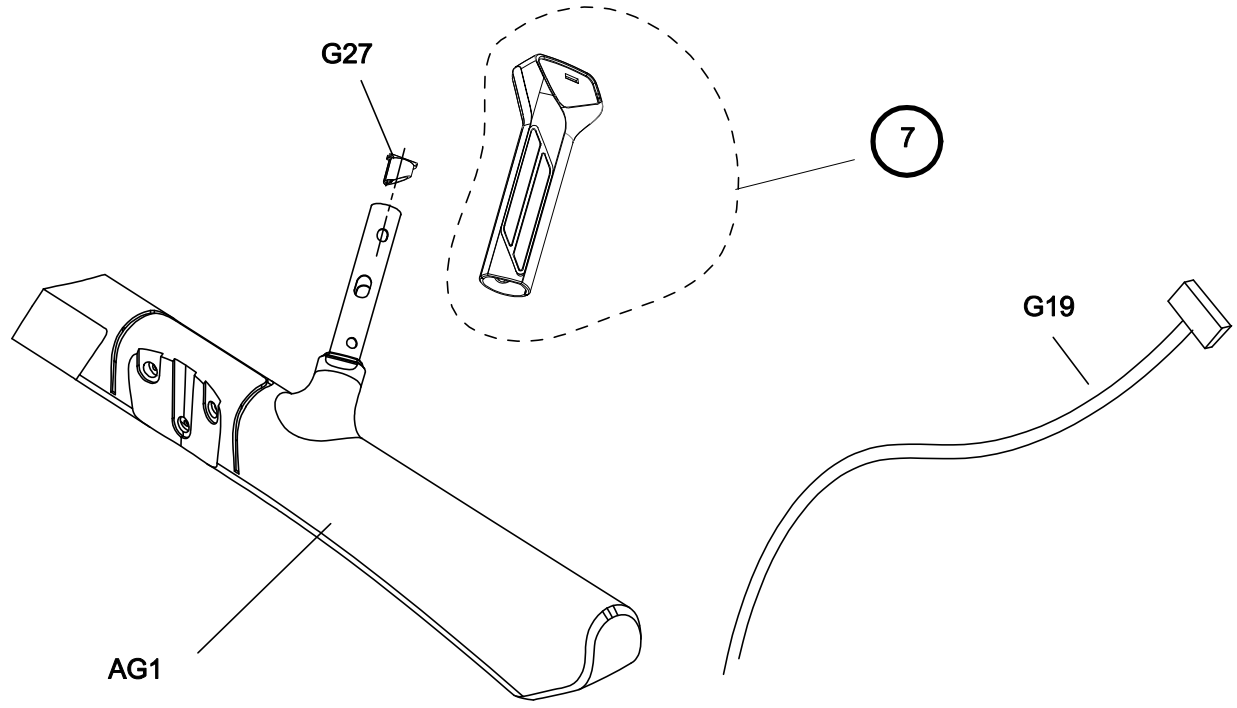


DRAWING NO	PTM445-1US-F		
PART NAME	Explosive Rendering		
PART NO	VTM0233-00	REV	A
APPROVE	coffee	DATE	2014.02.07

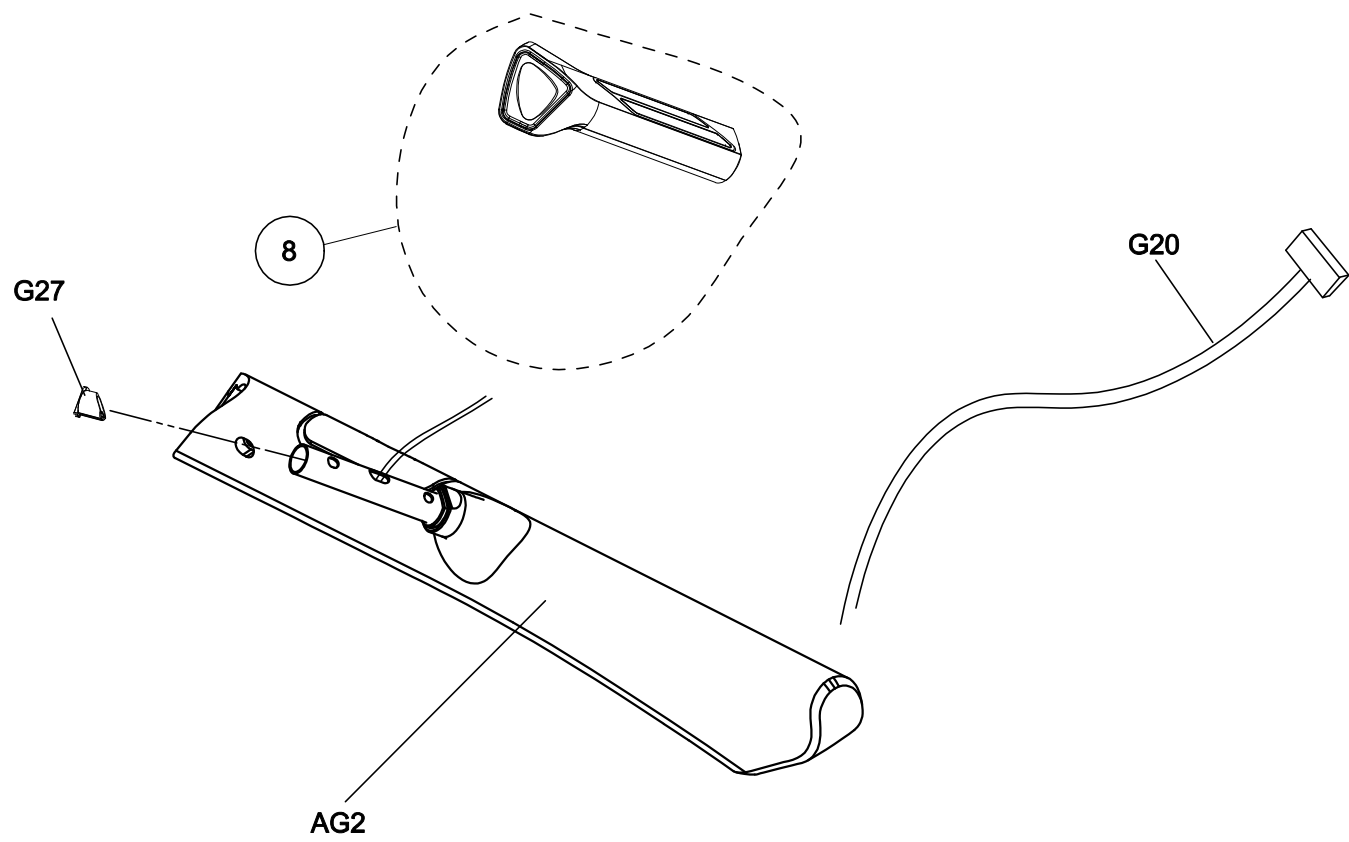


See notes on Kits 10 and 12.

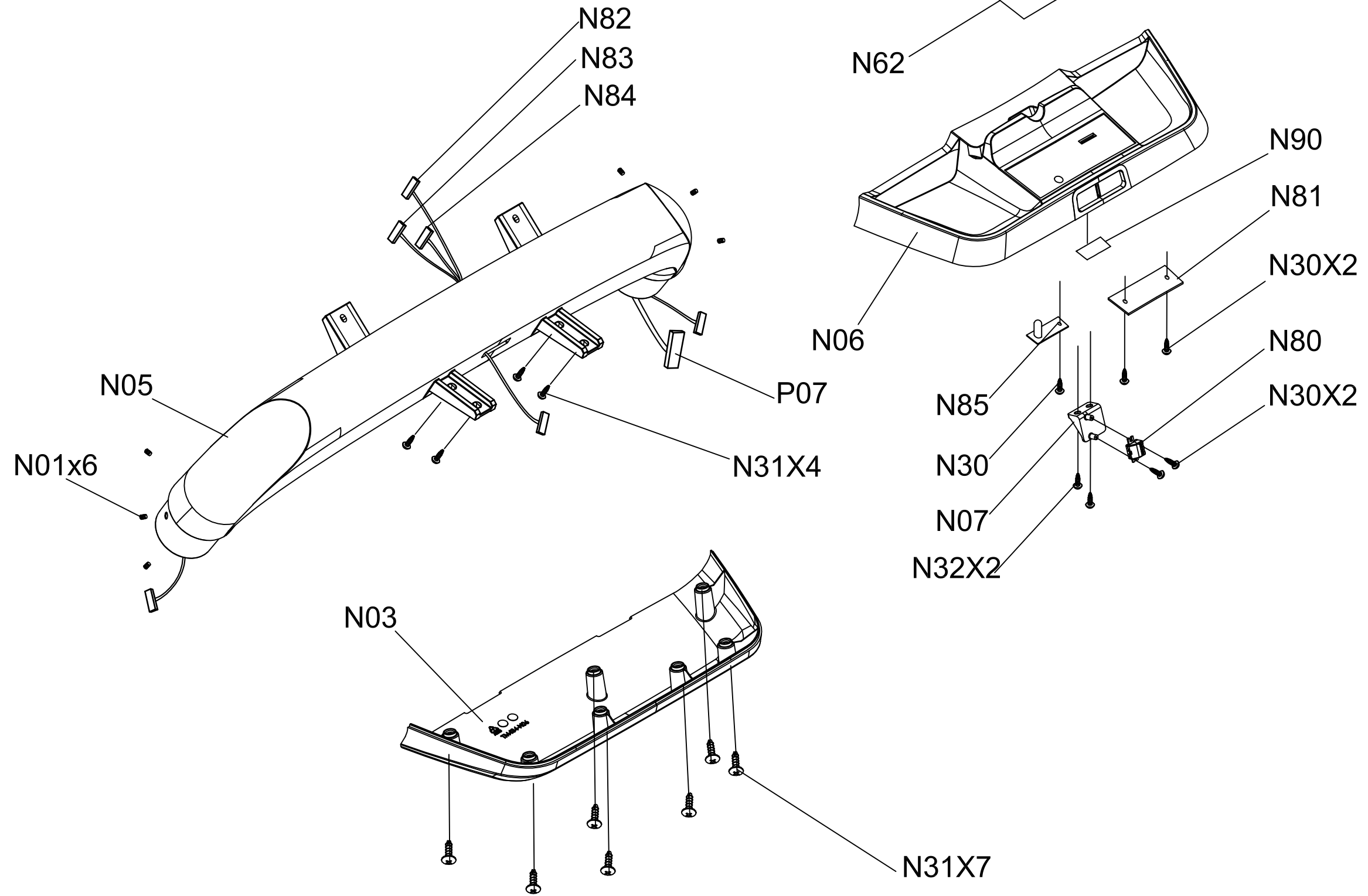
DRAWING NO	TM433-A12		
PART NAME	ARM REST SET;L		
PART NO	1000230895	REV	A
APPROVE	Wangwp	DATE	2014.03.14



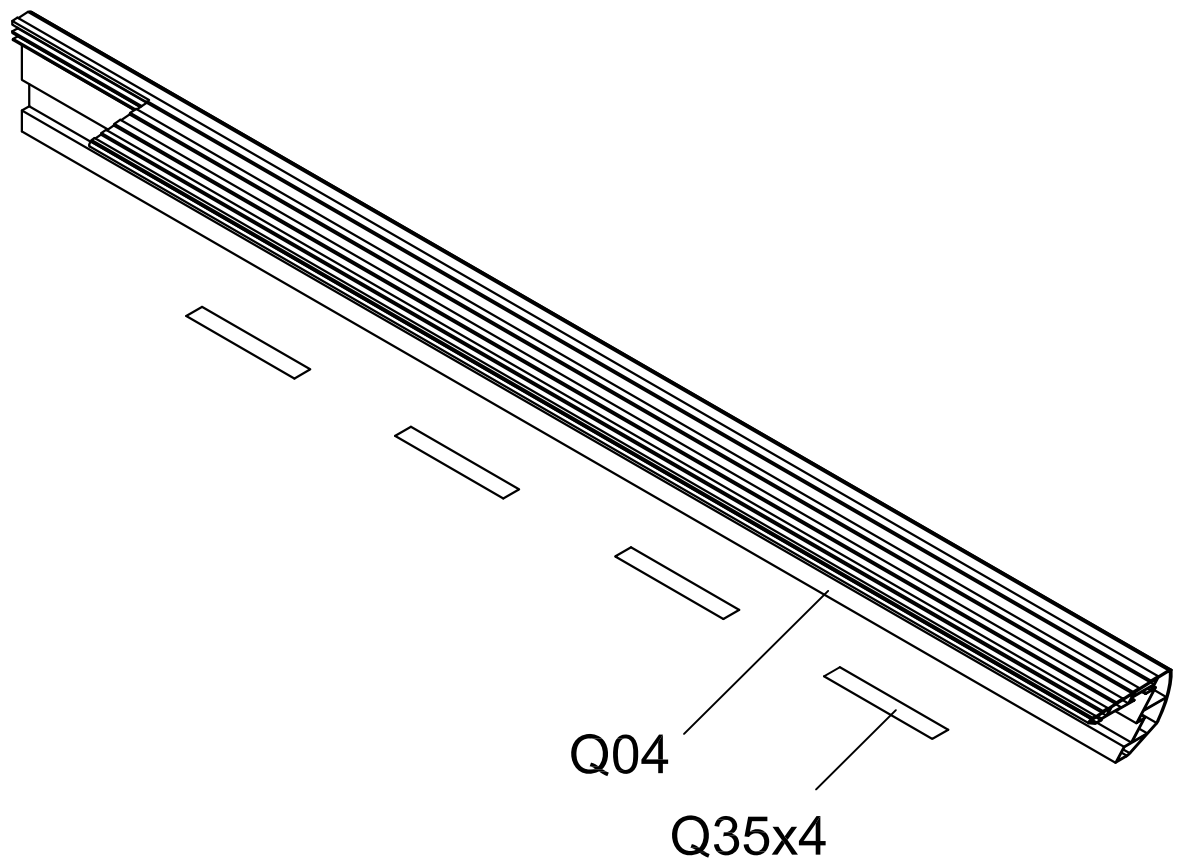
DRAWING NO	TM433-A13		
PART NAME	ARM REST SET;R		
PART NO	1000230894	REV	A
APPROVE	Wangwp	DATE	20140314



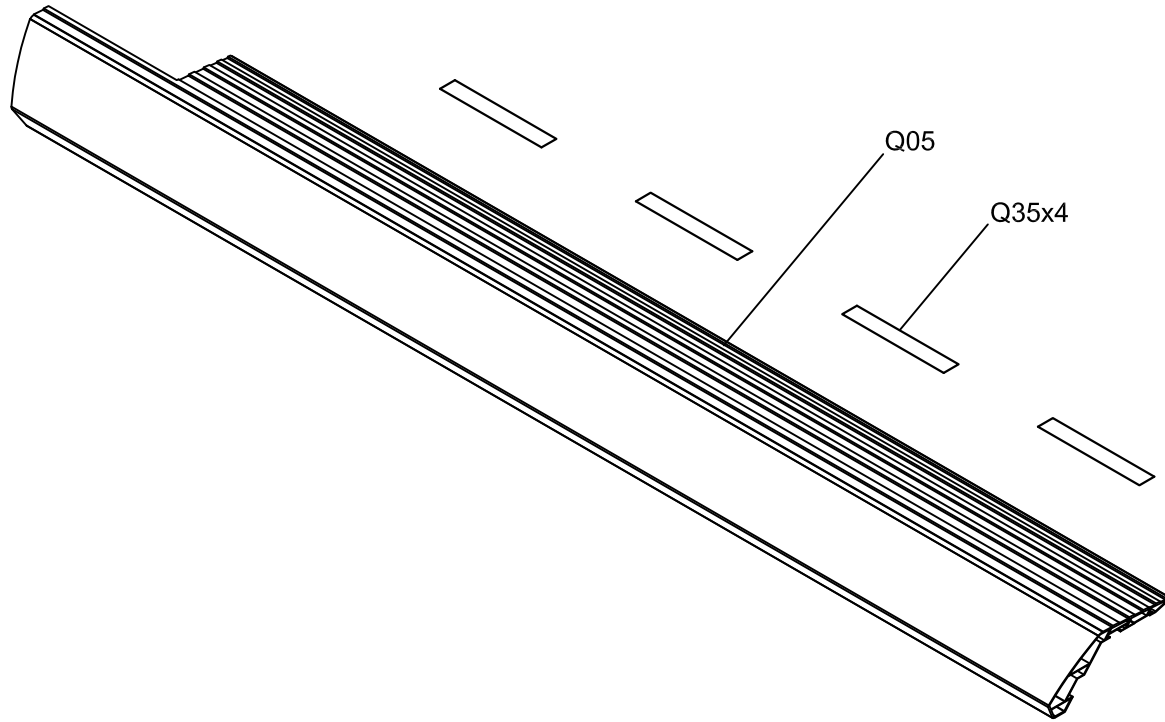
DRAWING NO	TM445-A21		
PART NAME	Console Base Set		
PART NO	1000328705	REV	A
APPROVE	李志	DATE	2013.08.09



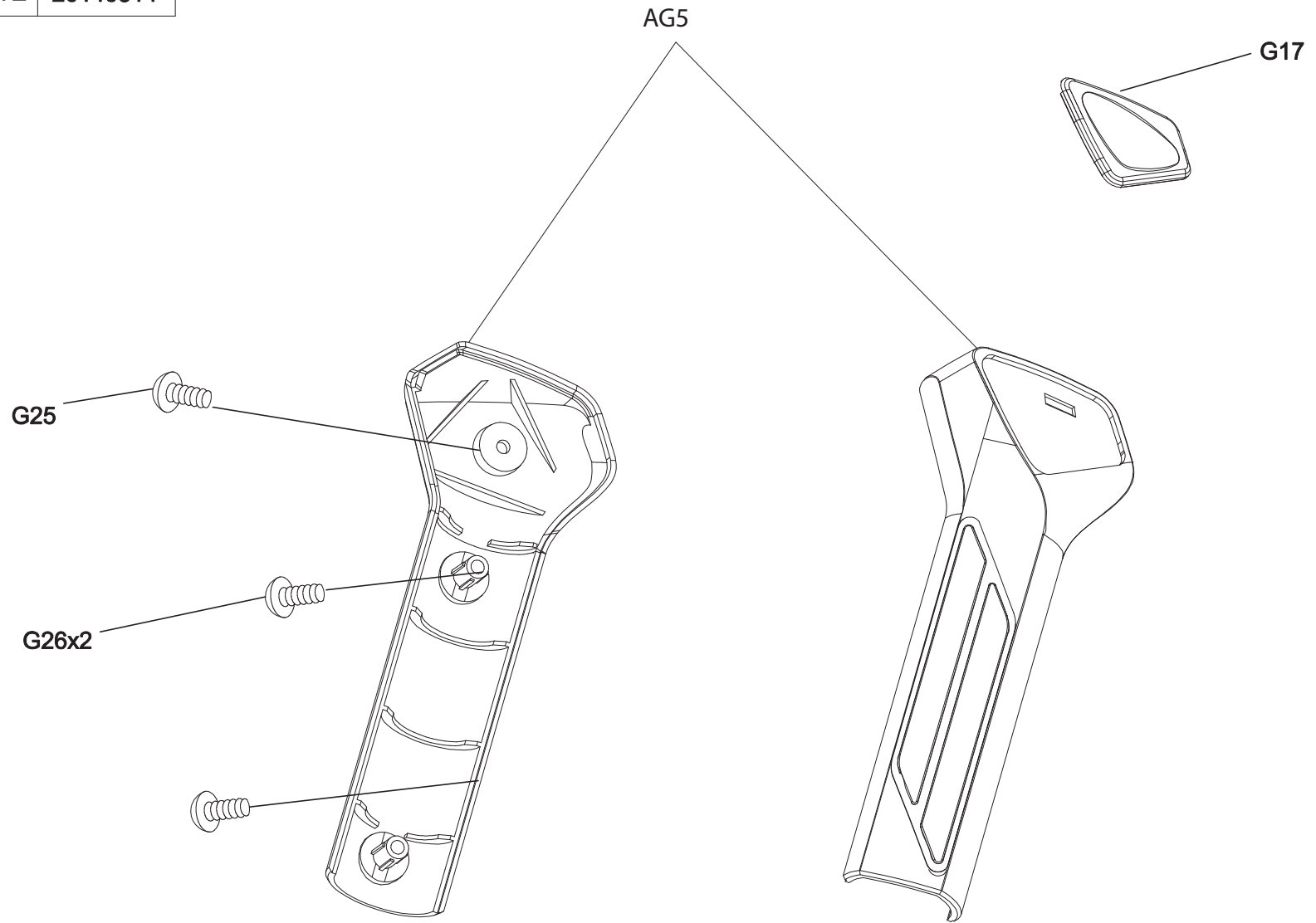
DRAWING NO	TM445-A15		
PART NAME	SIDE RAIL SET;R		
PART NO	1000232832	REA	
APPROVE	coffee	DATE	2012.05.23



DRAWING NO	TM445-A16		
PART NAME	SIDE RAIL SET;L		
PART NO	1000232831	REV	A
APPROVE	coffe	DATE	2012.05.23

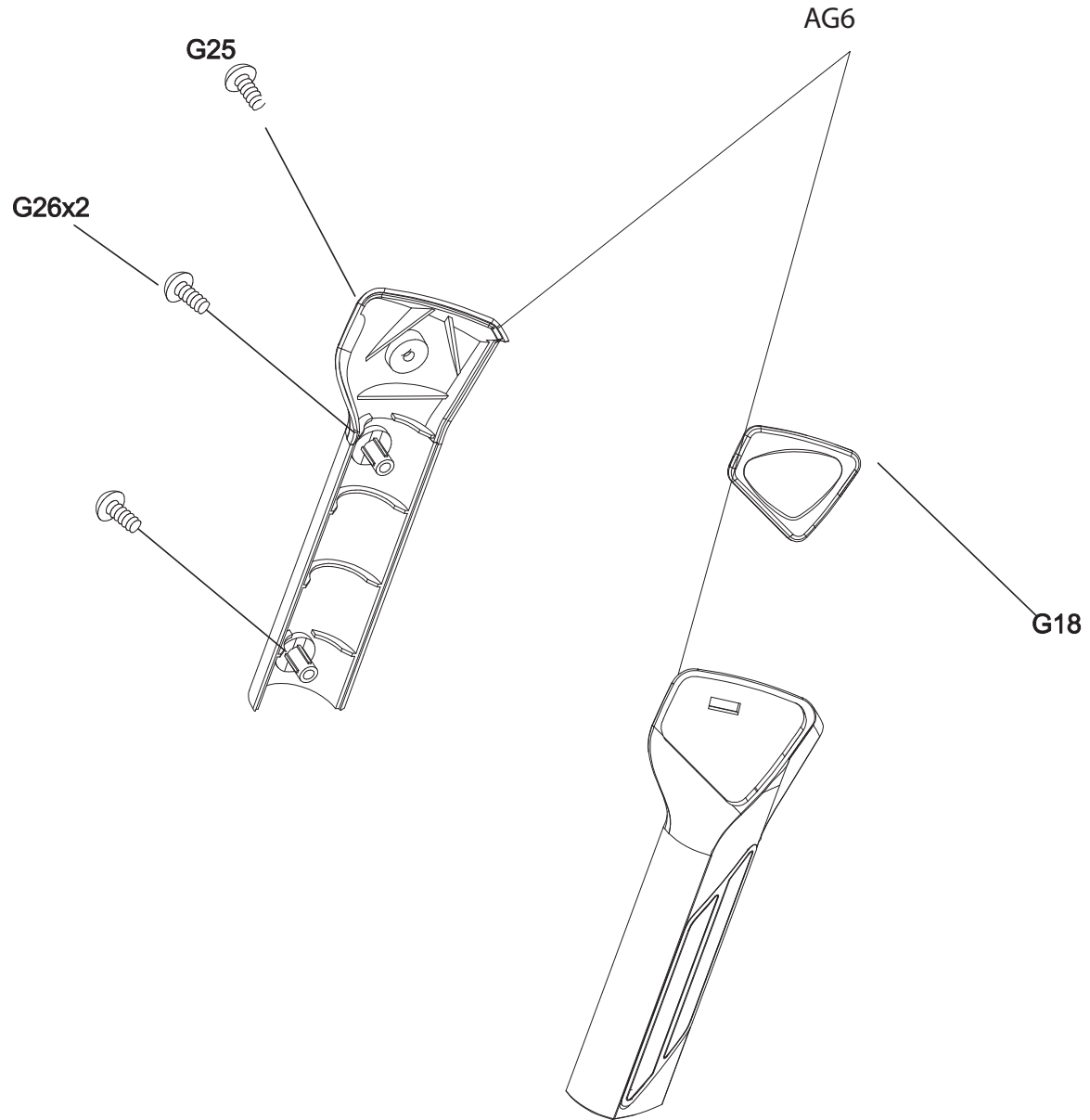


DRAWING NO	TM434-A13		
PART NAME	GRIP SET;L;		
PART NO	1000229640	REV	A
APPROVE	Wangwp	DATE	20140314

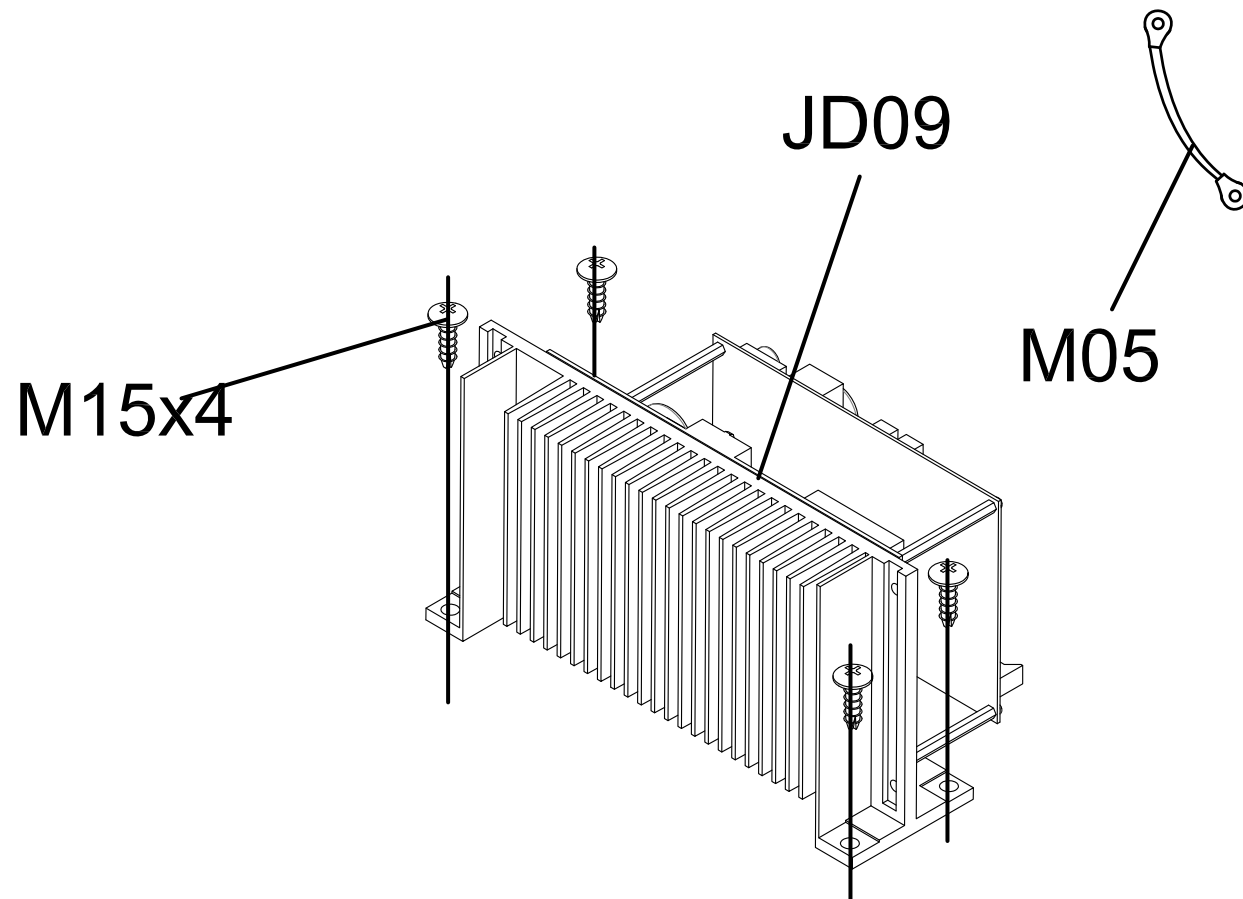




DRAWING NO	TM434-A14		
PART NAME	GRIP SET ;R;		
PART NO	1000229641	REV	A
APPROVE	Wangwp	DATE	20140314

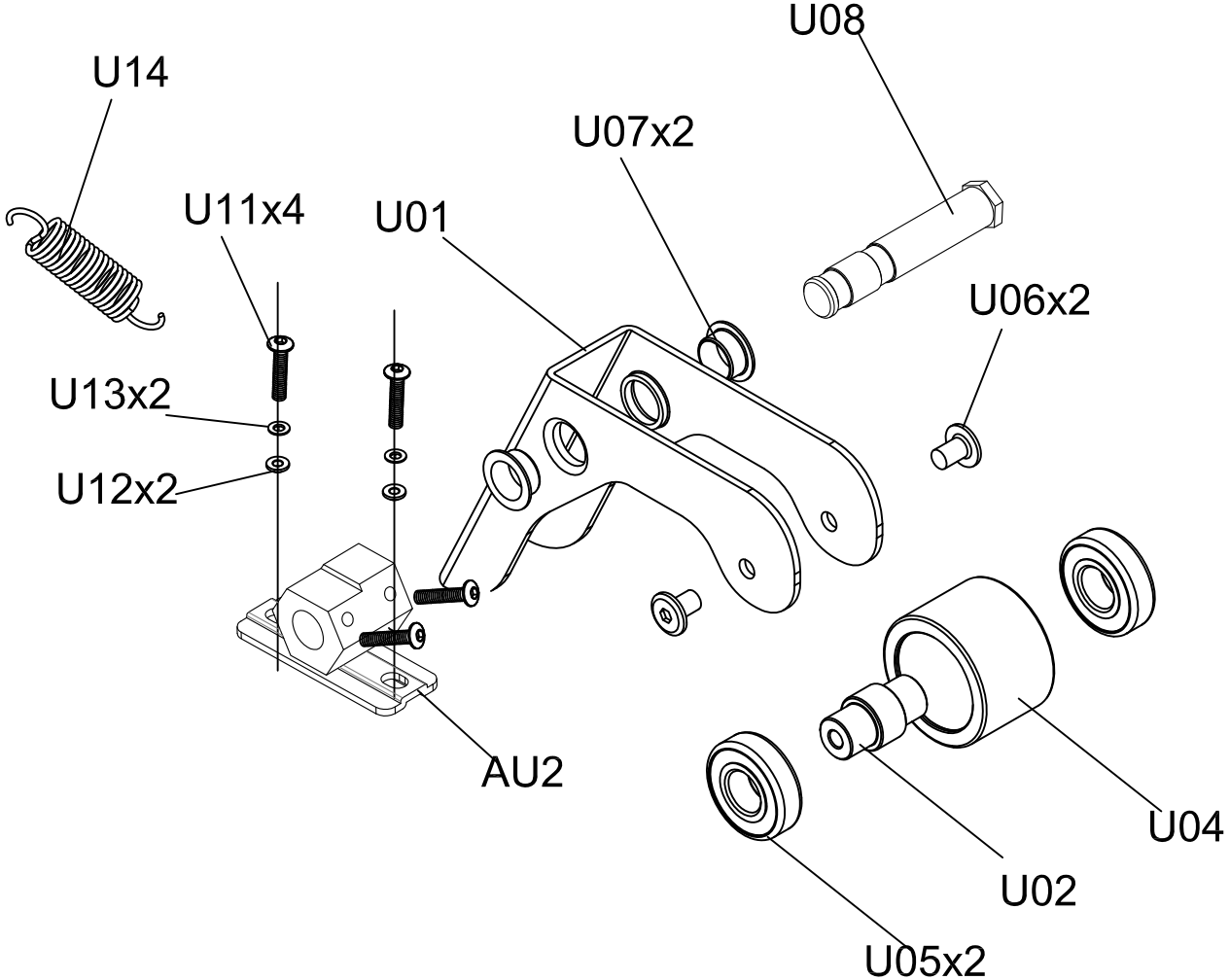


DRAWING NO	TM445-A17		
PART NAME	MCB SET		
PART NO	1000233007	REV	A
APPROVE	coffee	DATE	2012.05.23



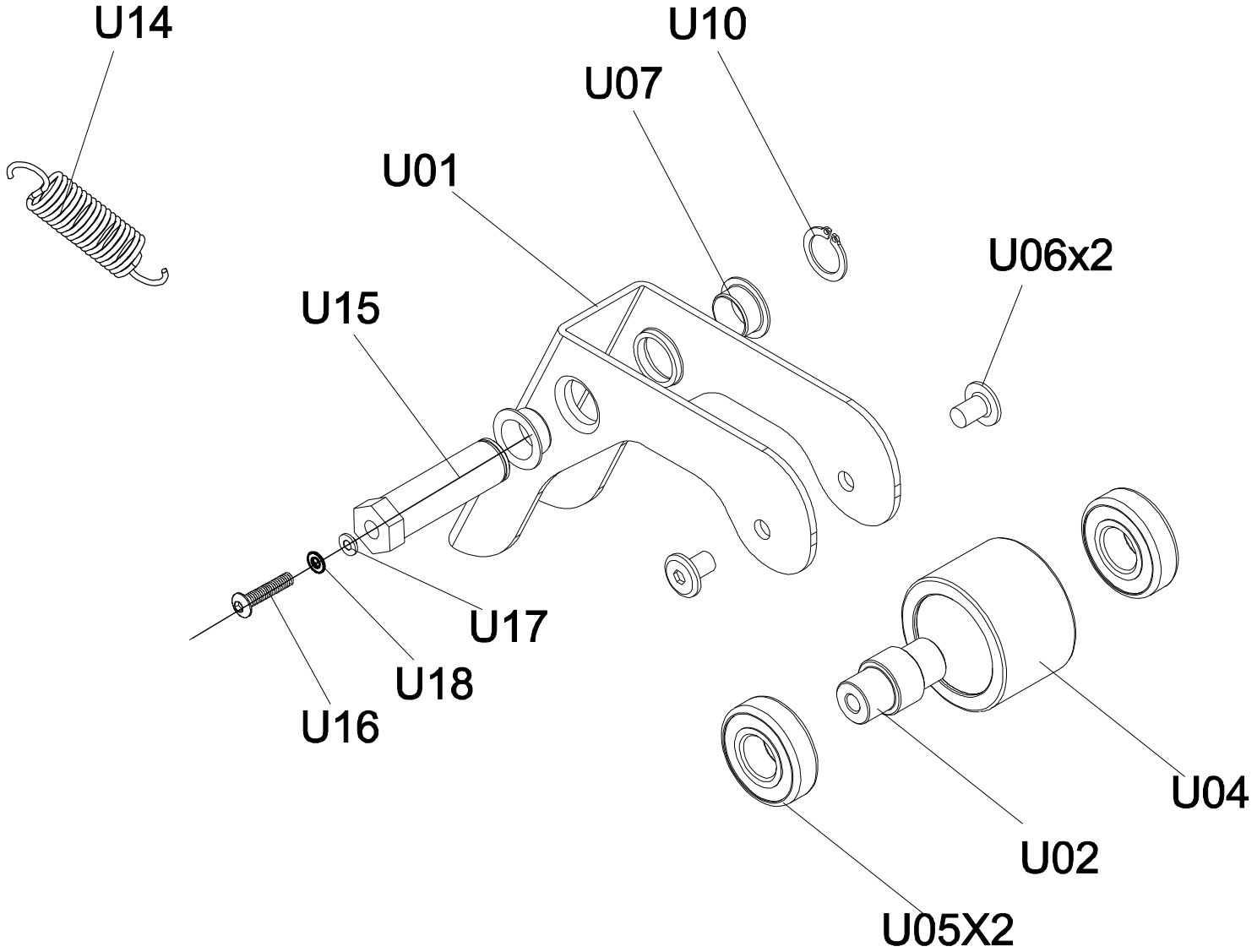
DRAWING NO	TM445-A18		
PART NAME	IDLER SET		
PART NO	1000300156	REV	A
APPROVE	coffee	DATE	2012.12.12

For units manufactured before March 2016

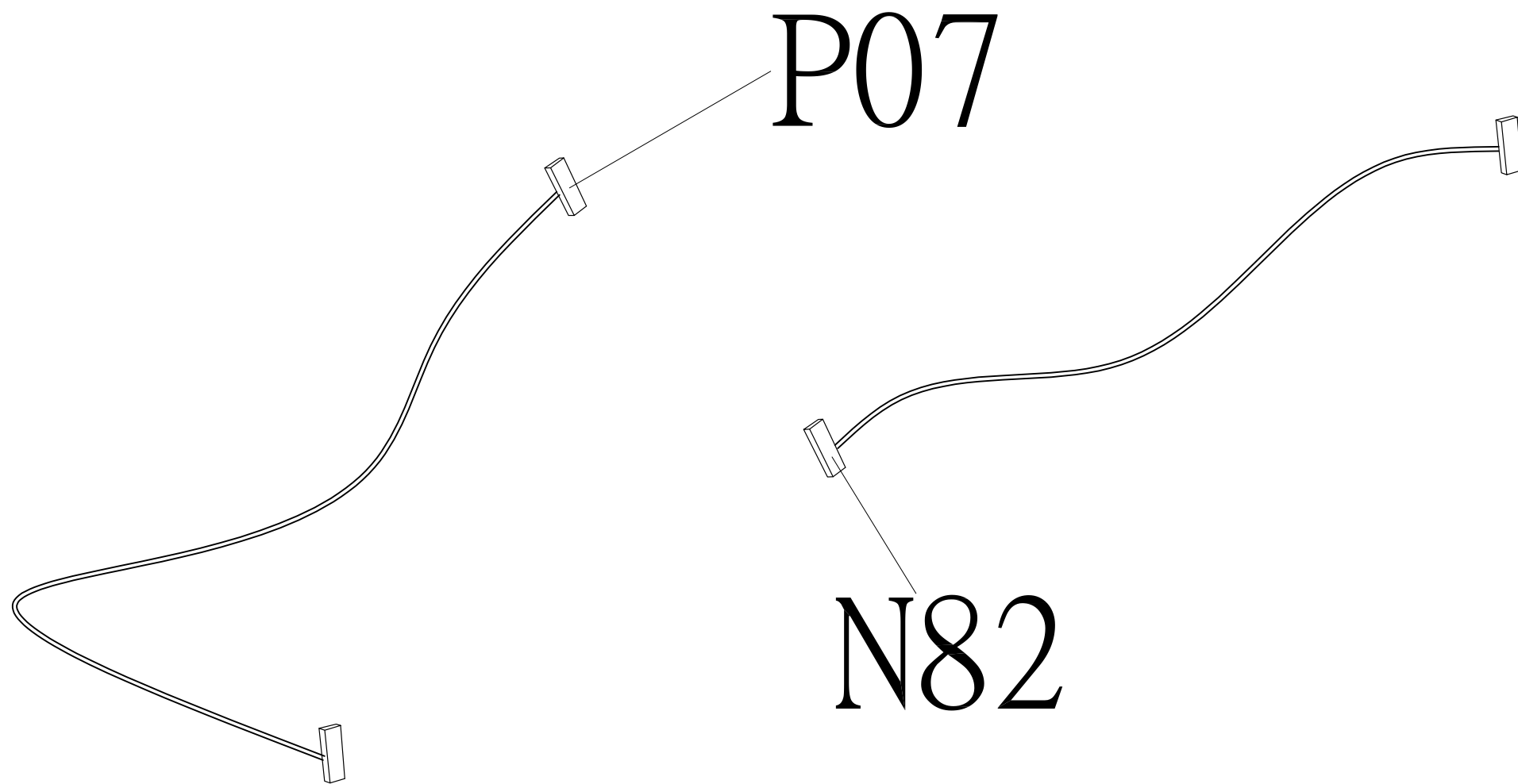


DRAWING NO	TM445-A19		
PART NAME	IDLER SET		
PART NO	1000381441	REV	A
APPROVE	Harvey	DATE	2015.12.01

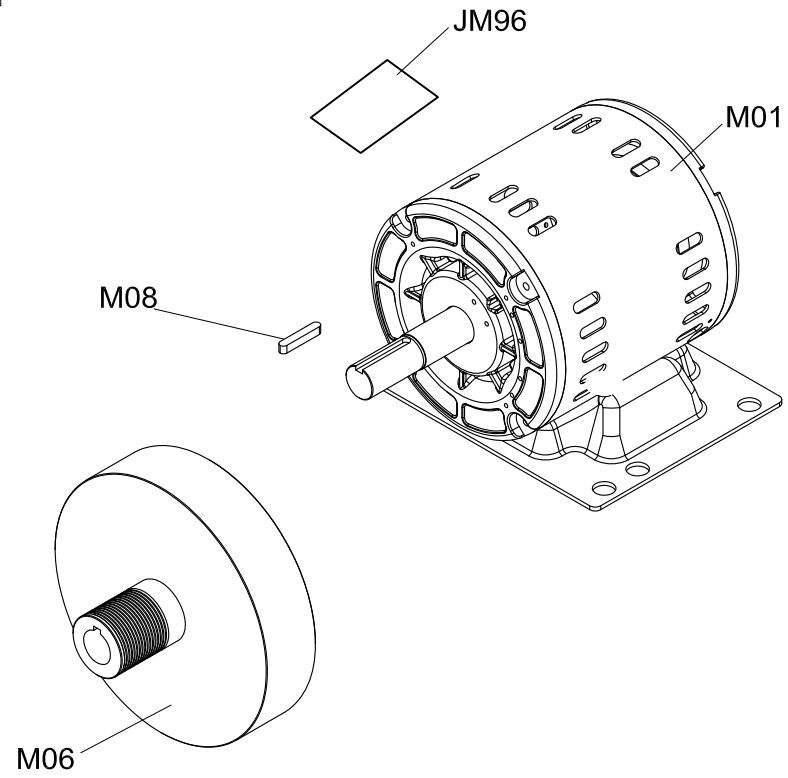
For units manufactured after February 2016



DRAWING NO	TM445-A20		
PART NAME	Console wires Set		
PART NO	1000324076	REV	A
APPROVE		DATE	20130808



DRAWING NO	TM445-A11		
PART NAME	Motor set		
PART NO	1000232830	REV	A
APPROVE	coffee	DATE	2012.05.23



Reference #	Part #	Description	Notes
01	1000232830	MOTOR SET SA TM445-1US	
02	1000230895	ARM REST SET SA L TM433-1US	
03	1000230894	ARM REST SET SA R TM433-1US	
		Console Base Set SA TM433-1US - D/C, NO REPL Part will	
04	1000230896	show as orderable until stock is depleted	Discontinued
05	1000232832	SIDE RAIL SET SA R TM445-1US	
06	1000232831	SIDE RAIL SET SA L TM445-1US	
07	1000229640	GRIP SET PULSE SA L TM434-1US SERVICE	
		GRIP SET PULSE SA R TM434-1US SERVICE - D/C, NO REPL	
08	1000229641	Part will show as orderable until stock is depleted	Discontinued
09	1000233007	TOPTEK MCB SET SEMI-ASS TM445-1US	
			Used on units manufactured
10	1000300156	Idler set Semi-Assy 1 TM445-1US	before March 2016.
			Used on units manufactured after
12	1000381441	Idler set Semi-Assy TM445-1US	February 2016.
AC1	1000223442	CONSOLE MAST SET CONSOLE MAST PAINTING	
AC2	1000223666	CONSOLE MAST SET CONSOLE R PAINTING	
AG1	Part of Kit 2	Handlebar Left FROTH BL TM434-1US	
AG2	Part of Kit 3	Handlebar Right FROTH TM434-1US	
AG3	1000223669	SUPPORT TUBE WELDING SET SIDE HANDLE BAR	
AG4	1000223664	SUPPORT TUBE HANDLE BAR RT PAINTING	
AG5	1000219638	GRIP SET L TM434-1US	
AG6	1000219578	1HANDLE SET SA R TM434-1US	
AH1	1000223773	ELEVATION RACK SET PAINTING BL TM445-1US	
AN1	1000219558	CONSOLE BASE SET SL TM437-1US	
AR1	1000223762	ROLLER SET FRONT Diam.60x678	
AR2	1000223763	ROLLER SET REAR Diam.60x660	
AU1	Part of Kit 10	Fixing Basewelding Set IDLER Painting BL	
			Already installed on units after
B105	005042-00	Washer Flat 8.2X30.0X2.0T Black Zinc	TM4451309BD00214. Anything
B150	004628-00	Screw Oval Tapping Phillip 5x15L	prior, it may need to be sent. 2 per lock

B20	005330-00	Tinnamen Nut	
B21	028275-AA	Adjustable Leveler	
B22	1000232473	FIXING PLATE POWER PAT	
B23	004979-00	Insert Nut Hex NHS-8125-3.0(M8x1.25P)	
B23	004975-00	Insert Nut Brass ALS7-8125-3.8(0.5-3.8)	
B24	000763-E	Elastomer Black 90	
B25	004562-00	Bolt Deck M8x1.25Px35L	
B27	1000471197	running deck-Extrawork Beeswax Chyuan	Waxed - See service bulletin "Deck Improvement".
B27	1000223716	TM DECK 656x1360x25.4T TIMBER	Discontinued
B27	1000302267	Finished treadmill deck 656x1360x25.4t	Discontinued
B27	1000309427	Finished treadmill deck Timber 656x1360x	Discontinued - Waxed - See service bulletin "Deck Improvement".
B28	000820-E2	Deck Extension Right	
B29	061162-AC	Screw Hex Socket Sink M8x1.25Px40L	
B37	004926-00	Nut Nylon M8x1.25P	
B39	000821-E2	Deck Extension Left	
B45	015053-AJ	Side Rail Fixing Board	
B47	0000089488	Elastomer Set Running Deck Middle T5x-02	
B47	1000208940	Extrawork Elastomer Running Deck Nai Ri	Discontinued
B49	0000089165	Clip Nut Attached Plate Elastomer SPCC 1.6t Zn Pl	
B62	0000084584	Screw BH M8X1.25PX20L HS BAN	
B66	004632-00	Screw Phillip BH Tapped 4x16L	
B79	1000225029	PLASTIC PLATE RE PP BL DECK EXTEND 70X50	
B90	1000337790	Fixing Plate Side Rail2 SPHC TM445	
G08	Part of Kit 8	Gauge Pulse R SUS304 NO TM434-1US	
G12	Part of Kit 7	Grip LU ABS BL TM434-1US	
G15	1000219642	KettleRack1 BL TM434-1US	Order part # 1000343951 for SNs TM4451407CJ00001 and after (new bottle holder attaches to inside of frame).



G15/G16	1000343951	Bottle Holder	Order for SNs TM4451407CJ00001 and after. This bottle holder attaches to inside of frame. Order part # 1000343951 for SNs TM4451407CJ00001 and after (new bottle holder attaches to inside of frame).
G16	1000219584	KettleRack 2 BL TM434-1US	
G17	1000219791	OVERLAY QUICK KEY L ENGLISH T40 INCLINE	
G18	1000219792	OVERLAY QUICK KEY R ENGLISH T40 SPEED	
G19	1000223398	WIRE HANDLEBAR 750L(3P 110 HX30002-6P	
G24	004812-A	Screw Hex Socket BH M6x1.0Px20L Adhere	
G24	004790-00	SCREW BH M6X1.0PX20L HS BZN	
G25	004620-00	Screw Self Tapping 4x12L	
G26	004631-00	Screw Phillip BH Tapped 4x25L	
H09	020077-00	Screw Hex Socket Round M12X1.75PX60L(30L)	
H11	005007-00	Washer Spring 12.2x21.5x3.0t	
H13	020477-A	Washer Flat 12.5x23.0x2.0T Black Zinc	
H15	004928-00	Nut Nylon M12x1.75P	
H17	011179-00	Washer Teflon M12x30Px1T	
H19	020478-00	Washer Flat 10.2x20.0x2.0T Black Zinc	
H20	004941-00	Nut Nylon M10x1.5P	
JD09	Part of Kit 9	Control Board 1.1KW/110V/220V H009 S007-	
JM96	006073-C	Warning Sticker Motor Yellow/Red/Black/W	
L01	1000227025	TRANSPORT WHEELS N66	
L06	1000214660	Pillar 45 BZN	
L07	1000099219	Open-Type Pin R-Type Nominal diameter3.	
M01	Part of Kit 1	Motor AC 3HP/230V/6.5A Cool grey 11c	
M02	1000422215	Elevation Motor Set Semi-Assy 110V	
M02	1000410139	Lift Motor AC 110V 700lbs 94MM 236MM 6P	Discontinued
M03	1000228217	WIRE MOTOR GND YELLOW/GREEN 340L (KS	
M05	1000226829	WIRE BS CON BL 60L 250180 Deg.X2 12AWG	
M08	004996-A	Key Round Dual-End 6x6x35L	
M09	001295-B	Insulating Sleeve Screw ABS 10.2X14/24X7L	

M10	020152-00	Screw HH 3/8-16UNCX50L-14L HE P-T	
M11	1000211092	FILTER 20A 125/250V ROHS	Replaced by 1000303181.
M11	1000396097	Filter 20A 125/250V BF1103-20A-04(3)	
M11	003530-A	EMI Wave Filter 115V/250V/20A	Discontinued - Replaced by 1000303181.
M11	1000303181	Filter 20A 125/250V DNF250-T-20A(2)	Discontinued
M12	004934-00	Nut Nylon 3/8'-16UNC	
M13	005146-A	Washer Flat 10.5x20x2.0T Black Zinc	
M15	004870-00	Screw Plain Tapping Rail Lock 5x15L	
M17	0000094431	Fan Cooling FD128025LB DC 12V/0.1A T7000	This is not the fan that's mounted on the MCB.
M18	0000087483	Screw BH M4X0.7PX35L PH BZN	
M19	066570-00	Nut NLK M4X0.7P BZN	
M24	004942-00	Nut Nylon M10x1.5P Black Zinc	
M25	005106-00	Washer Flat 10.2x20.0x1.5T Black Zinc	
M26	0000095367	Screw SH M10X1.5PX35L HS BAN Adhere	
M34	000885-C	Rubber Pad Motor Anti-Shake	
N01	1000220729	Screw Thread Hitch Aluminum Base 8X1.2	
N01	1000219893	PLASTIC COVERU PAINTING TM437-1US	
N02	1000219554	PLASTIC COVER D ABS CONSOLE TM437-1US	
N03	1000228958	READING RACK SET D VISION DARK SILVER P	
N03	1000228713	COVER CONSOLE U PAINTING CN/GY	
N04	1000226797	Stopper Board Base BL HIPS,PH-88 TM423-1	
N04	1000219556	RUBBER COVER CONSOLE UPPER COVER TM437-1	
N05	Part of Kit 4	Console Base Painting SL TM423	
N06	1000228957	READING RACK SET U VISION DARK SILVER PA	
N07	1000219565	PLASTIC BLOCK ABS SAFETY KEY TM434	
N15	1000227284	FOAM SINGLESIDE 199.1X3.5X1.5T TM437-1US	
N16	1000227285	FOAM SINGLESIDE 357.8X3.5X1.5T TM437-1US	
N20	1000223510	IPAD COVER TM437	
N23	1000223509	CONSOLE DOWN COVE TM437-1US	
N24	097076	Earphone Jack ABS PA757S	
N26	004612-00	Screw Phillip BH Tapped 3x8L	
N28	004619-AB	Screw Phillip BH Oval Tapped 4x8L	

N29	004633-00	Screw Phillip BH Tapped 5x10L Zn-BL	
N30	004608-00	Screw Phillip BH Tapped 3x10L	
N30	059357-00	Screw RND M5X0.8PX10L PH BZN ROHS SP	
N31	004617-00	Screw Console Case Oval Tapping 4x15L	
N31	010616-00	SCREW BH M3X0.5PX6L PH WZN ROHS	Discontinued
N33	1000338448	Fixing Bracket NYLON 66 WHITE 1202 KSS	
N43	1000307354	Safety Key Set Semi-Assy TM445-1US	
N60	100034	TFT Module 15 inch OS1 V1.001/V1.009 T	

		Manipulate Overlay English TM474-1US - D/C, NO REPL	
N61	1000343194	Part will show as orderable until stock is depleted	Discontinued
N62	1000220024	OVERLAY D EN Bronze TM435	
N62	1000217072	SYNTHETIC LABEL PATENT WINDOWS 6.0 AC	
N63	1000220028	CONTROL BOARD USB HBPB 180?X	
N64	1000222202	USB Wire 250mm XAP-08V-1?IXHS-6Y+XHS	
N65	1000222585	CONTROL BOARD SOO1125 HBPB JIS ConnP	
N66	1000220061	CONTROL BOARD RF HBPB	
N68	1000222205	WIRE IPOD 700L JST:PAP-10V-S	
N69	1000224562	CONTROL BOARD EARPHONE SOO1124 HAPA	
N70	1000224660	HEART RATE NEW REPLACE H101 CGC JST	
N71	1000205707	Ground Wire Pulse 200L	
N72	1000094023	Grounding Wire 250 4.0+6.0	
N73	1000224516	Wire 60MM JST:XAP-03V-1Green XHS-2Y	
N74	1000224517	WIRE HANDLEBAR 120MM JST:XAP-08V-1 XHS-6	
N76	1000231708	Control Board IPOD HAPA	
N77	1000222204	WIRE EARPHONE 300MM(JST:XAP-5V-1+XHS-4Y)	
N78	1000334941	Memory card set TF Card Sandisk 8G CLAS	
N80	1000224655	WIRE SAFE SWITCH 150L(XHS2.5-2P)	
N81	1000224518	CONTROL BOARD KEY SOO1126 HBPB	

			Before TM4451309BD00054, order 1000324076 console cable set (includes top and bottom cables).
N82	1000323591	Console Wire UP1 800 CKM254301-8P+MX	
N82	001679-00	Tie Strap Adhesive Nylon 66 HC-101 W	

N83	1000223397	WIRE HANDLEBAR 700(XHS-11Y+HX30002-6Rx2)	
N84	1000205281	Wire IPOD-PCB 300L XHS-10Y	
N85	1000227054	CONTROL BOARD EUP BOARD HDPD	
N85	1000228319	SPEAKER BOXED 2W/8?[ 150MM JST:XAP-02V-1	
N90	056437-00	Absorptive Plate Zinc 15x25	
N99	1000222587	Pulse receiver set I/O Extra-work	
Not Shown	1000324076	Console Wire Set 1800+800mm Molex c	
Not Shown	1000219179	Documentation Manual TM Safety Direction	
Not Shown	1000230585	HARDWARE SET TM445-1US	
Not Shown	1000231703	Documentation Manual Assembly TM445-1U	
Not Shown	ZMS4004832	Medium Silver Touch-Up Paint	
Not Shown	ZMS4004833	Flat Black Touch-Up Paint	
Not Shown	ZMS4004834	Dark Grey Touch-Up Paint	
Not Shown	1000329080	WIFI Wireness module Set BL-LW05-5R us	
Not Shown	003307-00	Chest Strap Polar Size Medium T34/T41	
Not Shown	1000219571	DOCUMENTATION MANUAL MANIPULATE ENGLISH	
Not Shown	1000219808	DOCUMENTATION MANUAL MANIPULATE FR&SP TM	
Not Shown	1000343654	Console set Semi-Assy English TM474-1U\\ D/C, NO REPL: Part will show as orderable until stock is depleted.	Discontinued
Not Shown	1000329710	Console set Semi-Assy TM474-1US-C \\ D/C, NO REPL: Part will show as orderable until stock is depleted.	Discontinued
P01	<b>1000302764</b>	Power Switch Double Pole W/ Light 20A	
P01	<b>1000317845</b>	Power Switch ON-OFF W/ Light 125V/250V 2	Replaced by <b>1000302764</b> . Discontinued - Discontinued - Replaced by <b>1000302764</b> .
P01	<b>018612-A</b>	Power Switch	
P02	<b>003347-00</b>	Circuit Breaker Current ZE-700 20A/250V	
P03	1000323655	Console Wire Set Down 1800mm Molex:7	Before TM4451309BD00054, order 1000324076 console cable set (includes top and bottom cables).
P05	<b>1000228075</b>	POWERSOCKET 16A 250V 150 900 80 250 180	
P09	005177-00	Washer Tooth 5.3X10.0X0.6T BAN	

P10	004889-00	Nut Hex M5x0.8P Nickel	
P12	003378-00	Ferrite Core	
P17	0000093248	Screw TRH M5x0.8Px30L MT PS CST BOX F-T	Discontinued
P18	1000231808	WIRE CONNECT 150L	
P22	1000226831	WIRE YL/GREEN 200L (Diam.5.0 O#X2) 14AW	
P24	1000226832	WIRE SF CON 150(Diam.5.0 250 180 12AWG	
P25	1000303183	MCB power wire 12AWG 350+350+500 Mol	
P25	1000203461	Power Wire 350+350+400 T1xLS	Replaced by 1000303183.
P30	0000094429	Power Cord Set 15-ft NEMA (90 unit, 180 outlet)	
P30	1000474029	External Power Wire Set 110V US PO	
P30	1000229194	POWERCORD SET US 1US TM507D-1US	Discontinued
P30	1000356655	External PWR Wire Set 10 feet US TM526	Discontinued
			Discontinued - Discontinued -
P30	0000094857	Power Cord 10' NEMA (180 TM / 90 outlet)	Discontinued
P30	1000229198	External PWR ## 110V TM507D-1US	Discontinued
Q01	1000233196	MOTOR COVER PP BL TM445-1US	
Q02	1000223756	LOWER MOTOR COVER D PE	
Q04	1000233193	SIDE RAIL R PP BL TM445	
Q05	1000233195	SIDE RAIL L PP BL TM445	
Q06	1000223679	END CAP ABS PANTONE 425C Gray TM433	
Q07	1000223680	END CAP ABS PANTONE 425C GRAY TM433	
Q08	1000229007	COVER L/L ABS BL PAINTING	
Q09	1000229008	COVER L/R ABS BL PAINTING	
Q10	1000229006	COVER R/L ABS BL PAINTING	
Q11	1000229005	COVER R/R ABS BL PAINTING	
Q12	004641-A	Screw Umbrella Cross Tapped 5x20L	
Q19	020185-00	Screw Phillip BH Tapped 4x10L	
Q35	018905-AA	Foam Tape One Sided 20x5x150L	
R02	1000352232	Treadmill Belt 545X3258X2.3T Black Diamo	
R02	1000352222	Treadmill Belt 545x3258x2.3T Black Diamo	Discontinued
R02	1000224232	TM BELT 545X3258X2.3T White	Discontinued
R03	1000207928	Drive Belt Poly-V 240-J12-C Carlisle	
R04	004496-00	Screw Hex Socket Round M10x1.5Px90L	
R07	005067-00	Washer Flat 10.2X15.0X1.5T Black Zinc	

R08	028632-AC	Screw Hex Socket Round M10x1.5Px45L(Toot	
U05	0000088505	Bearing Ball 6203LUZ 17X40X12T TPI	
U06	004695-AB	Screw Hex Socket Flat M8x1.25Px12L	
U10	005362-00	C-Clip External S-16	
U11	004828-AA	Screw Hex Socket BH M6x1.0Px16L Adhere	
U12	064674-A	Washer Flat 6.2x13.0x1.0t Black Zinc	
U13	005004-00	Washer Spring Lock SW6 6.1x12.2x1.5t	
U14	1000304308	Spring Extension Diam.3.0XDiam.23.5X67L	
U14	005491-B	Spring SWPB 3.0x23.13Nx72L Antirust	Replaced by 1000304308
V02	1000219609	LOGO LABEL TM437-1US	
V04	006078-00	Decal Grounding TM08	
Z01	004859-AC	Screw BH M8X1.25PX20L HS CHM	
Z02	020484-00	Washer Arc 8.4x17x1.0T Chromed	
Z03	005009-AB	Washer Spring SW8 8.2x15.4x2T Zinc Plating	
Z04	005048-AC	Washer Flat 8.2x15.0x1.2T Chromed	
Z05	004775-Z	Screw Hex Socket BH M8x1.25Px95L(Tooth20	
Z05	004775-00	Bolt M8X1.25PX95L(20L)	
Z07	1000099323	End Cap Front Stabilizer	
Z08	004541-AC	Screw Hex Socket Round M8x1.25Px45L Chromed	Discontinued
Z09	005041-00	WASHER FLT Diam.8.4XDiam.17.0X1.6T BZN	
Z10	005005-AC	Washer Split 8.2X15.4X2.0T BZN	
Z11	1000106666	Nut HX M8X1.25P SS41 BAN	
Z12	004859-00	Screw Umbrella Hex Scket M8x1.25Px20L	
Z12	004720-00	Screw BH M8X1.25PX20L HS BZN	Discontinued